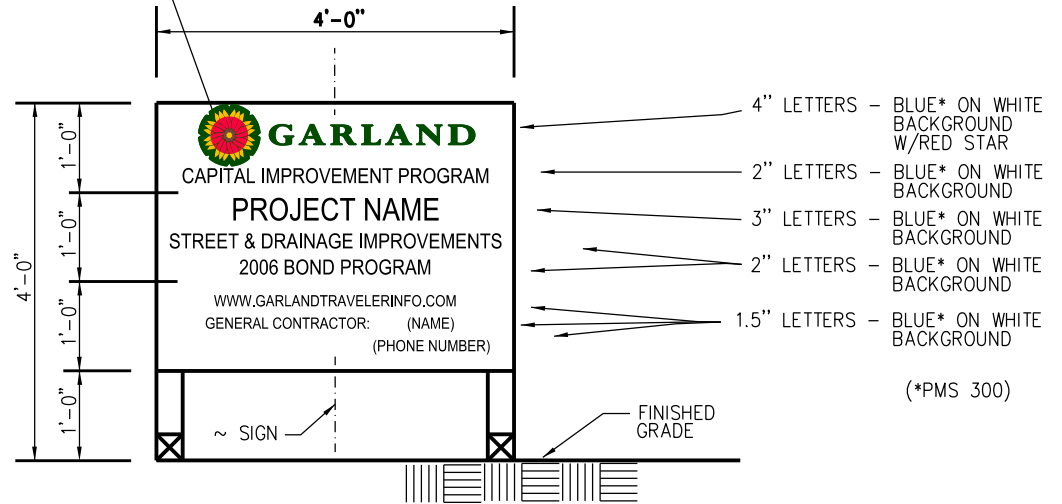
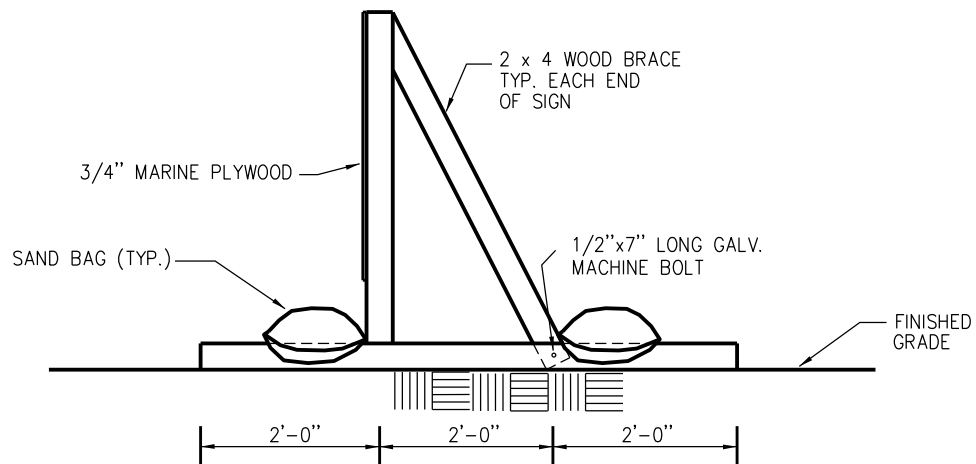


3/4" MARINE PLYWOOD

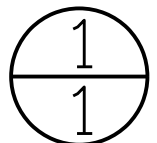


NOTE:
 GRAPHICS SHALL BE EXTERIOR GRADE
 ENAMEL PAINT OR VINYL LETTERING,
 BLUE LETTERS ON WHITE BACKGROUND.
 ALL LETTERS SHALL BE HELVETICA.

FRONT ELEVATION



SIDE ELEVATION/SECTION



Revision Date: 09/06

Scale : N/A	Date : 06/01/05
Design :	
Drawn : JMK	
Dwg. File : BARR_001.DWG	
Project No. : STANDARD-DETAILS	



CAPITAL IMPROVEMENTS SIGN

LANE WIDTH FT.	BARRICADE LENGTH FT.
2-33	26
2-24	26
1-44	38.5
1-36	26
1-26	26

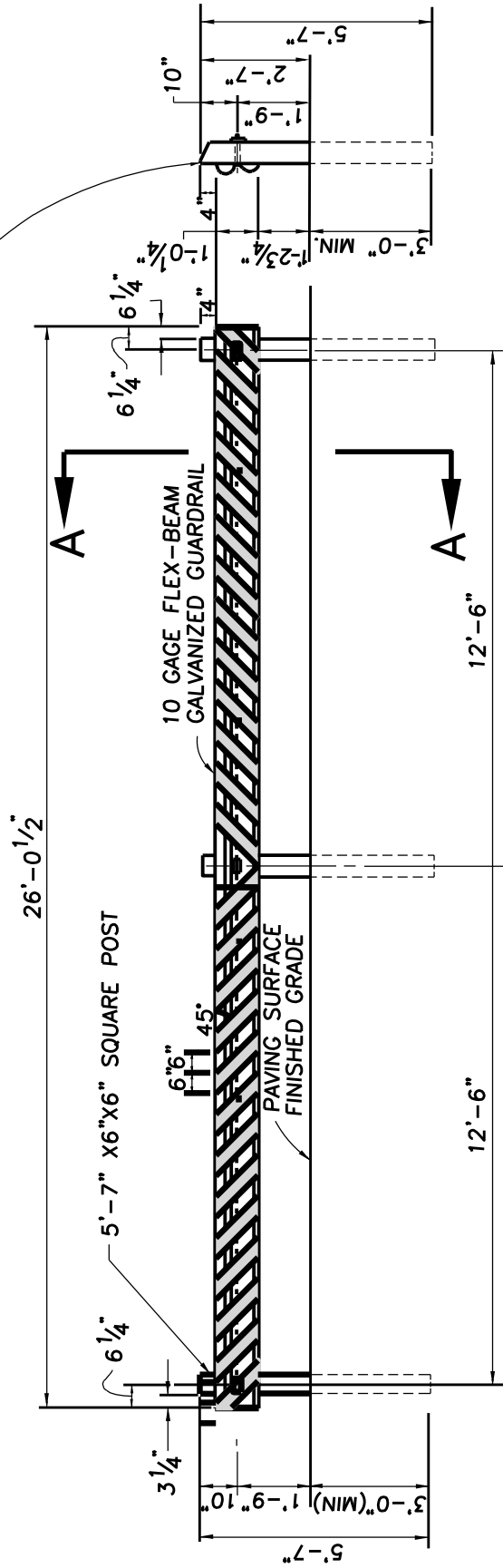
Revision Date: _____

Scale : N/A Date : 06/01/05
 Design :
 Drawn : COG
 Dwg. File : BARR_001.DWG
 Project No. : STANDARD-DETAILS



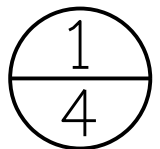
END OF STREET BARRICADE

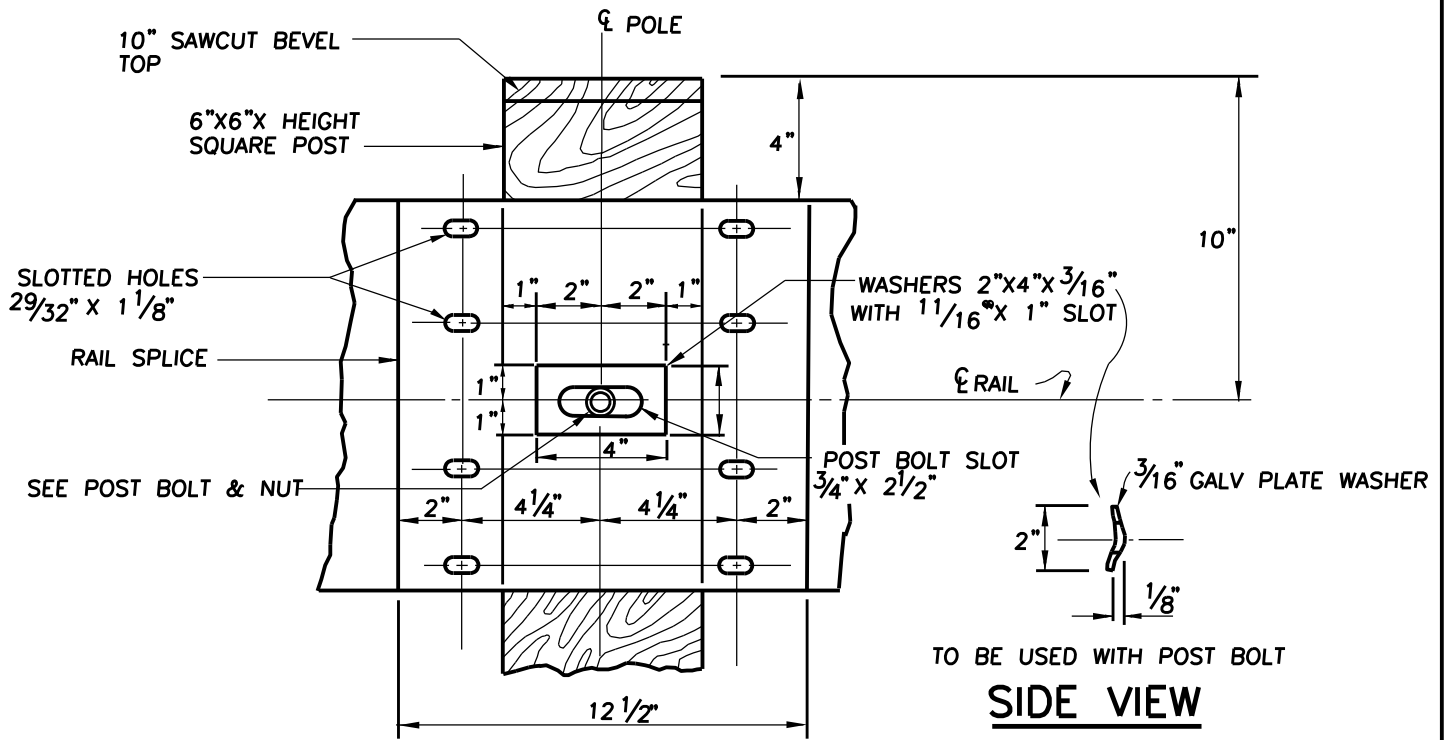
6'X6"X6" SQUARE POST
 ALL POSTS SHALL BE TREATED
 WITH A WOOD PRESERVATIVE
 (PRESSURE TREATED) BEFORE
 INSTALLATION



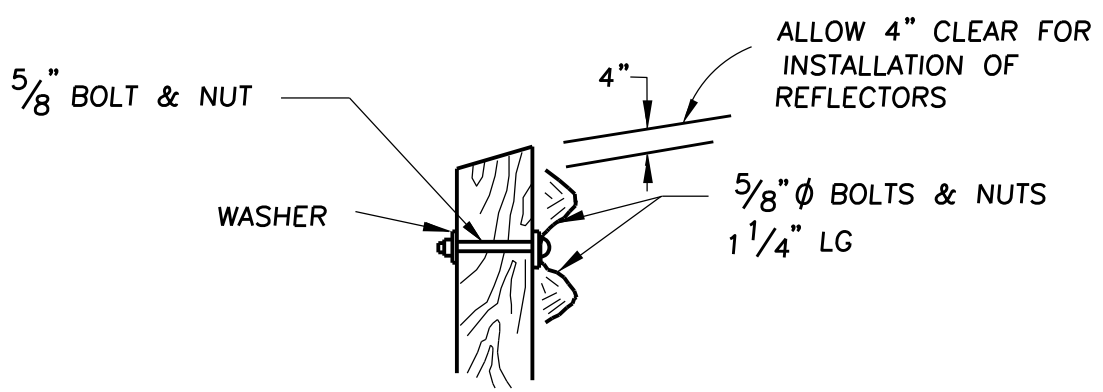
SECTION A-A

TYPICAL ELEVATION





WOOD POST CONNECTION



ARRANGEMENT AT POST

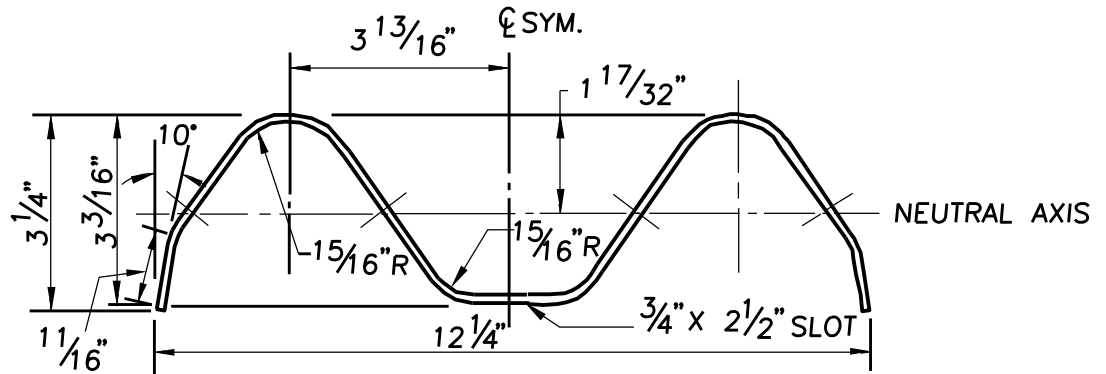
2
4

Revision Date: _____

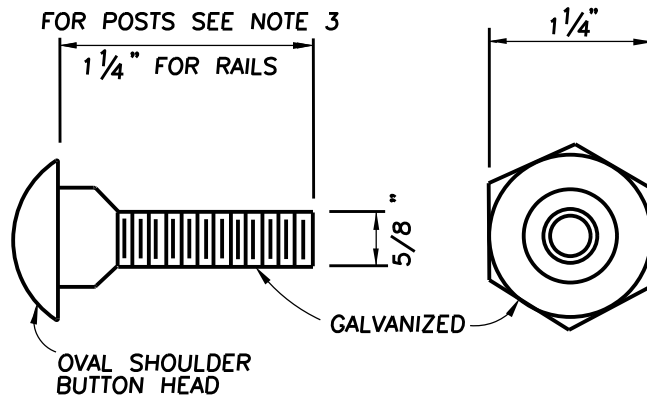
Scale : N/A	Date : 06/01/05
Design :	
Drawn : COG	
Dwg. File : BARR_001.DWG	
Project No. : STANDARD-DETAILS	



**END OF STREET
BARRICADE**



GUARD RAIL SECTION



BOLT & NUT FOR POST & RAIL

3
4

Revision Date:

Scale : N/A	Date :06/01/05
Design :	
Drawn : COG	
Dwg. File : BARR_001.DWG	
Project No. : STANDARD-DETAILS	



**END OF STREET
BARRICADE**

PAGE
4

GENERAL NOTES

- 1 METAL FLEX-BEAM GUARD RAIL SHALL BE 10 GAGE, GALVANIZED AS PER ASTM A93.
- 2 AT THE OPTION OF THE CONTRACTOR THE RAIL ELEMENT OF THE GUARD FENCE MAY BE FURNISHED IN EITHER 12 1/2 OR 25 FEET NOMINAL LENGTHS. RAIL SHALL BE FURNISHED WITH POST BOLT SLOTS FOR 5/8" DIAMETER BOLT CONNECTION TO POSTS.
- 3 BOLTS USED IN ATTACHING RAIL TO POST SHALL BE OF SUFFICIENT LENGTH TO EXTEND THROUGH THE FULL THICKNESS OF THE NUT.
- 4 LOCATION OF BARRICADES SHALL BE IMMEDIATELY BEYOND THE STREET HEADER UNLESS OTHERWISE DETERMINED BY THE ENGINEER.
- 5 WHERE ROCK IS ENCOUNTERED OR WHERE SHOWN ON THE PLANS, THE DIAMETER OF HOLES AND THE MATERIAL FOR BACKFILLING SHALL BE AS DIRECTED BY THE ENGINEER.
- 6 TIMBER POSTS MAY BE BEVELED AT APPROX. 10° ON THE TOP OR BOTH ENDS WITH HIGH SIDE PLACED TOWARD THE ROADWAY OR THEY MAY BE DOMED.
- 7 THE CONTRACTOR HAS THE OPTION OF USING 6" DIA ROUND POST INSTEAD OF SQUARE POST
- 8 THE RAIL SHALL BE COVERED COMPLETELY WITH RETROFLECTIVE RED AND WHITE STRIPED TAPE. THE STRIPES SHOULD BE POSITIONED TO SLOPE DOWNWARD TOWARD THE CENTER OF THE BARRICADE.

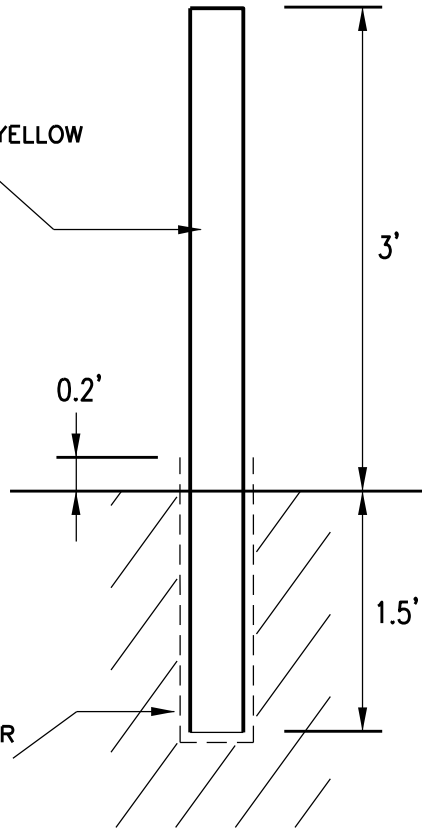
4

4

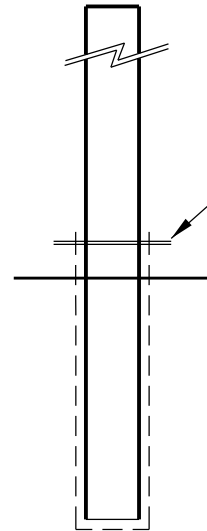
Revision Date:

Scale : N/A Date : 06/01/05	 GARLAND <small>ENGINEERING</small> STANDARD DETAILS	<h3 style="margin: 0;">END OF STREET BARRICADE</h3>	PAGE
Design :			5
Drawn : COG			
Dwg. File : BARR_001.DWG			
Project No. : STANDARD-DETAILS			

4" DIAMETER
STEEL PIPE
W/ BLACK & YELLOW
REFLECTORS



SET 5" DIAMETER
STEEL PIPE IN
CONCRETE



DRILL 3/4" DIAMETER
HOLES THROUGH PIPES
WITH CABLE LOCKS

REMOVABLE BOLLARD

1
1

Revision Date:

Scale : N/A Date : 06/01/05

Design :

Drawn : JMK

Dwg. File : BARR_002.DWG

Project No. : STANDARD-DETAILS


GARLAND
ENGINEERING
STANDARD DETAILS

REMOVABLE BOLLARD DETAIL

PAGE

6